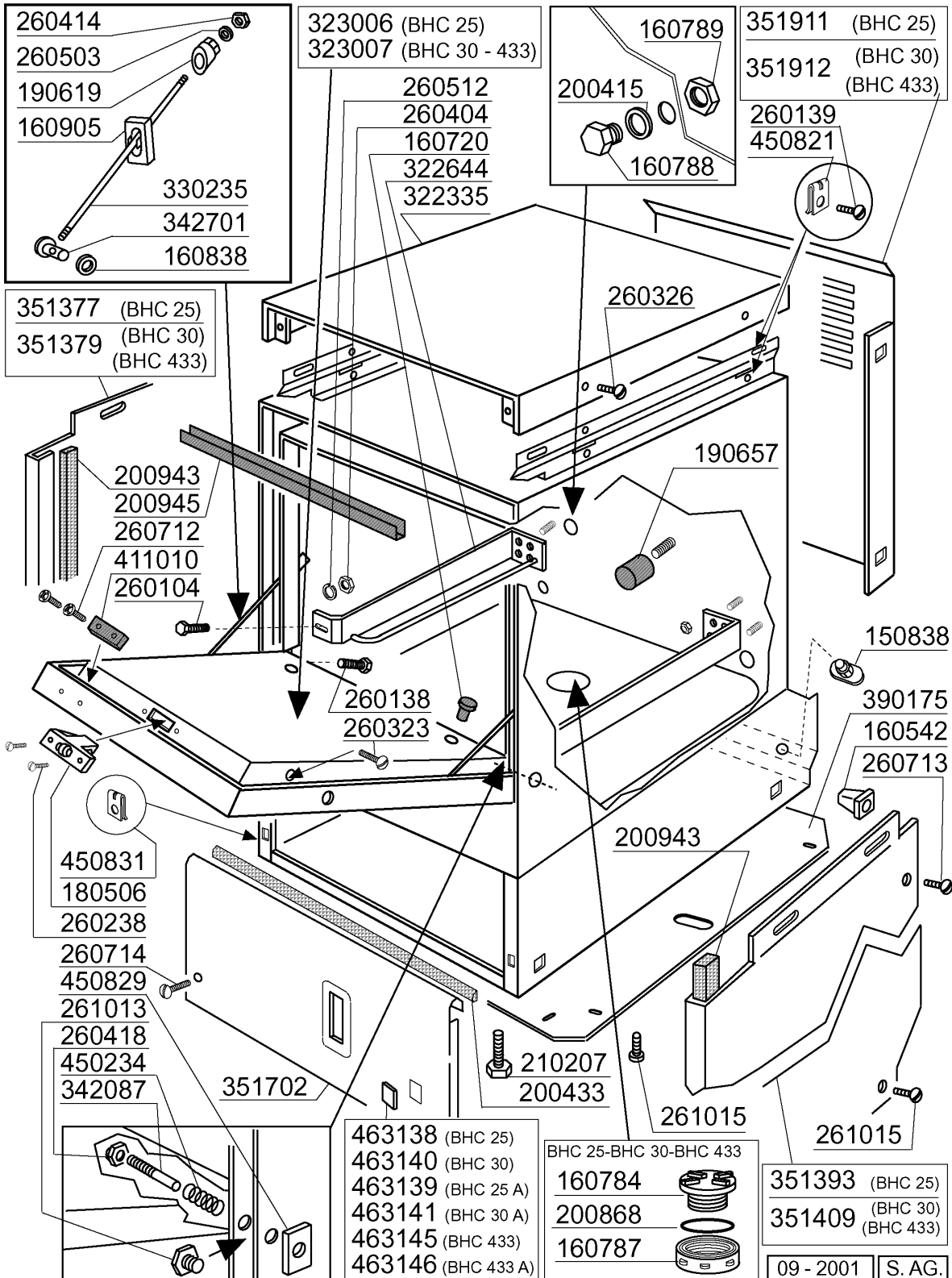


sino alla matricola - jusqu'à la matr. - up to serial no. - bis Seriennr. - hasta la matr. 9400/08/01



2 - Hood

CODE	DESCRIPTION
150838	CABLE HOLDER FOR BHC
160542	SCREW SUPPORT
160720	PLUG HEYCO D.8
160784	PLUG
160787	NUT
160788	PLUG
160789	NUT
160838	SLIDING WASHER TIE ROD FC
160905	SLIDING PLATE F. TIE ROD
180506	DOOR CATCH BR-BC-FC
190619	DOOR CATCH B-F-R
190657	RACK STOP BHC
200415	AIR TRAP GASKET -F2 18,5X10X3
200433	SPONGY RUBBER RECT. 6X2,5 ADHE
200868	GASKET
200943	GASKET
200945	DOOR GASKET BHC
210207	FOOT BHC
260104	STAINL.ST TE-SCREW A2 6X16 UNI
260138	SCREW TE 4X10
260139	SCREW TE 5X16
260238	M4 X 10 MUSH/HD SCREW
260323	SCREW TSP 5X20
260326	SCREW TS 5X10
260404	STAINLESS STEEL NUTS D6 UNI 55
260414	SELF-LOCKING NUT M5
260418	SELF-LOCKING NUT M4
260503	STAINL.STEEL FLAT WASHER D5 UN
260512	ST/ST GROWER WASHER D6
260712	SCREW 2,9X9,5
260713	SCREW 3,9X16
260714	SCREW 4,2X19
261013	SCREW
261015	SCREW 3,9X13
322335	COVER BHC
322644	RACK GUIDE BHC
323006	DOOR BHC25
323007	DOOR BHC30
330235	ROD FOR BHC DOOR
342087	PIN
342701	PIN FOR TIE ROD
351377	LEFT PANEL BHC25
351379	LEFT PANEL
351393	RIGHT PANEL BHC25/1
351409	LATERAL PANEL
351702	FRONT PANEL
351911	PANEL
351912	BACK PANEL BHC30
390175	PANEL
411010	DOOR MAGNET
450234	SPRING
450821	SPRING CLIP FASTENER SNU 3634
450829	DOOR BRACKET BHC
450831	SCREW SUPPORT
463138	NAME PLATE
463139	NAME PLATE
463140	NAME PLATE
463141	NAME PLATE
463145	NAME PLATE
463146	NAME PLATE

dalla matricola - a partir de la matr. - from serial no. - ab Seriennr. - despues la matr. 9401/09/01

- 260414
- 260503
- 190619
- 160905
- 330235
- 342701
- 160838

- 323006 (BHC 25)
- 323007 (BHC 30 - 433)
- 260512
- 260404
- 160720
- 322644
- 322335

- 160789
- 200415
- 160788

- 351911 (BHC 25)
- 351912 (BHC 30)
- (BHC 433)
- 260139
- 450821

- 351392 (BHC 25)
- 351408 (BHC 30)
- (BHC 433)

- 200943
- 200945
- 260712
- 411010
- 260104

- 260138
- 260323

- 450831
- 180506
- 260238
- 260714
- 450829
- 261013
- 260418
- 450234
- 342087

351715

- 210207
- 200433

200943

150838

- 390175
- 160542
- 260713

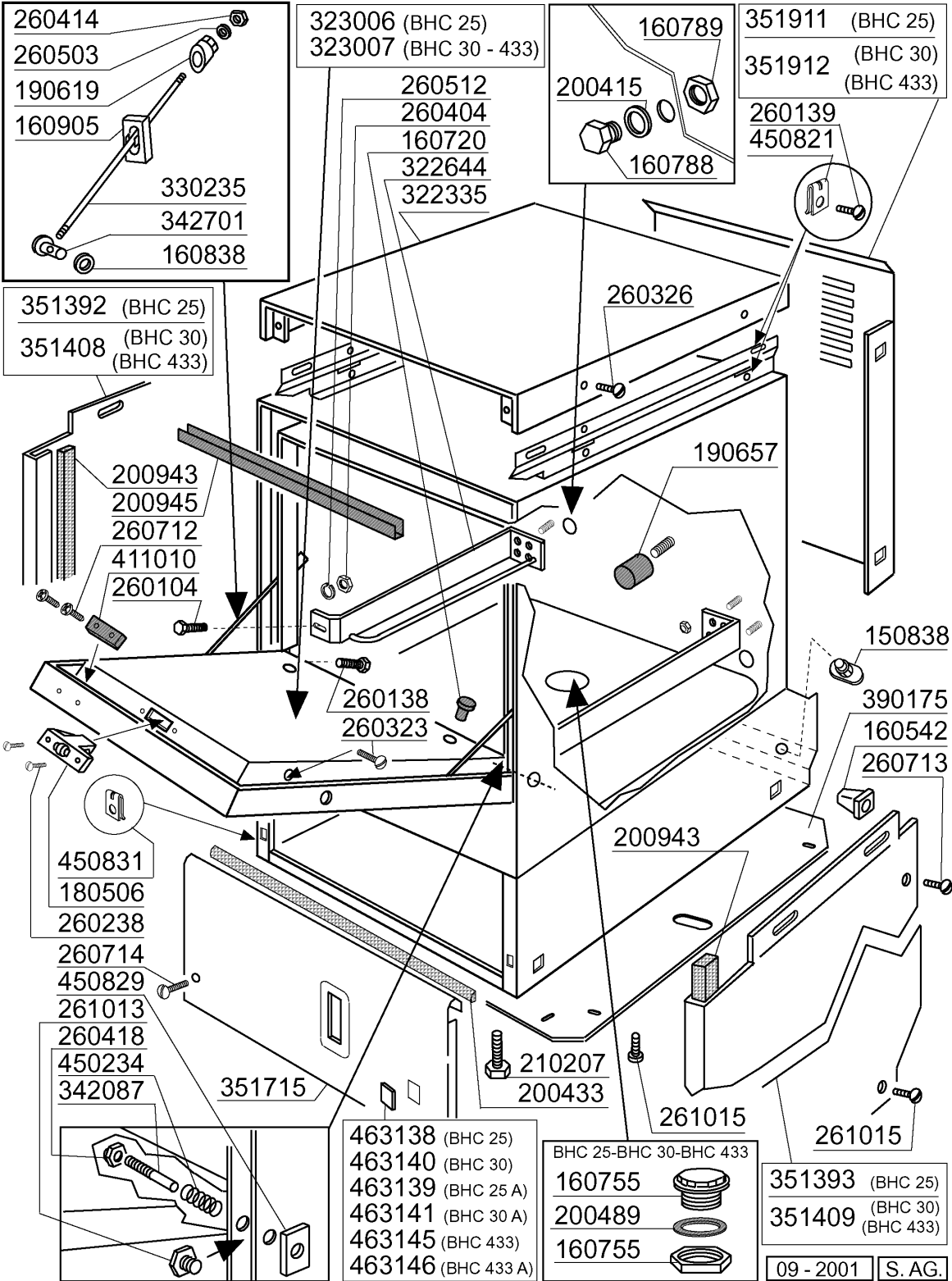
261015

- 463138 (BHC 25)
- 463140 (BHC 30)
- 463139 (BHC 25 A)
- 463141 (BHC 30 A)
- 463145 (BHC 433)
- 463146 (BHC 433 A)

- BHC 25-BHC 30-BHC 433
- 160755
- 200489
- 160755

- 351393 (BHC 25)
- 351409 (BHC 30)
- (BHC 433)

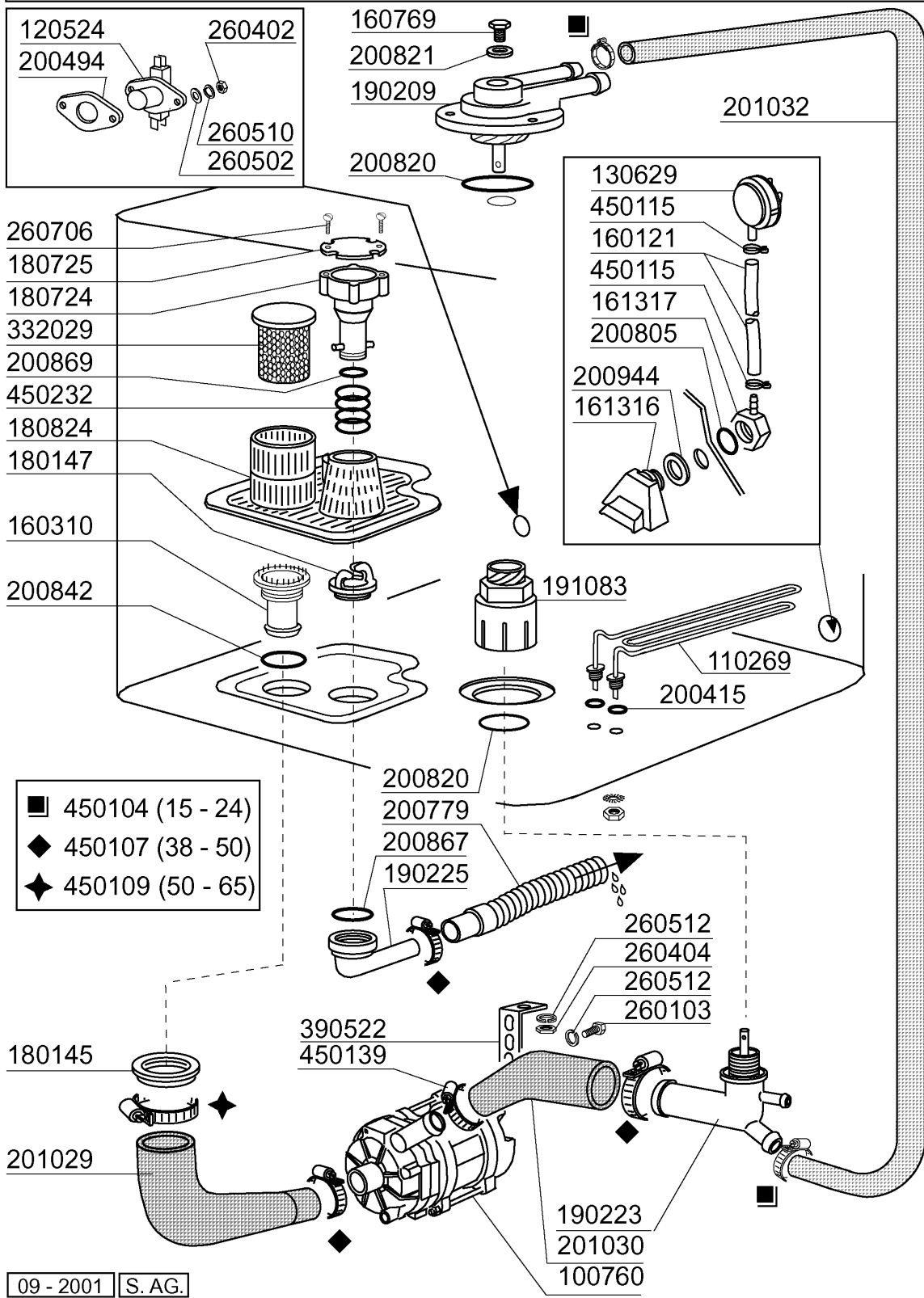
09 - 2001 | S. AG.



3 - Hood

CODE	DESCRIPTION
150838	CABLE HOLDER FOR BHC
160542	SCREW SUPPORT
160720	PLUG HEYCO D.8
160755	PLUG FOR MACHINES WITHOUT SOFT
160788	PLUG
160789	NUT
160838	SLIDING WASHER TIE ROD FC
160905	SLIDING PLATE F. TIE ROD
180506	DOOR CATCH BR-BC-FC
190619	DOOR CATCH B-F-R
190657	RACK STOP BHC
200415	AIR TRAP GASKET -F2 18,5X10X3
200433	SPONGY RUBBER RECT. 6X2,5 ADHE
200489	GASKET 81X68X3
200943	GASKET
200945	DOOR GASKET BHC
210207	FOOT BHC
260104	STAINL.ST TE-SCREW A2 6X16 UNI
260138	SCREW TE 4X10
260139	SCREW TE 5X16
260238	M4 X 10 MUSH/HD SCREW
260323	SCREW TSP 5X20
260326	SCREW TS 5X10
260404	STAINLESS STEEL NUTS D6 UNI 55
260414	SELF-LOCKING NUT M5
260418	SELF-LOCKING NUT M4
260503	STAINL.STEEL FLAT WASHER D5 UN
260512	ST/ST GROWER WASHER D6
260712	SCREW 2,9X9,5
260713	SCREW 3,9X16
260714	SCREW 4,2X19
261013	SCREW
261015	SCREW 3,9X13
322335	COVER BHC
322644	RACK GUIDE BHC
323006	DOOR BHC25
323007	DOOR BHC30
330235	ROD FOR BHC DOOR
342087	PIN
342701	PIN FOR TIE ROD
351392	LATERAL PANEL
351393	RIGHT PANEL BHC25/1
351408	LATERAL PANEL
351409	LATERAL PANEL
351715	FRONT PANEL
351911	PANEL
351912	BACK PANEL BHC30
390175	PANEL
411010	DOOR MAGNET
450234	SPRING
450821	SPRING CLIP FASTENER SNU 3634
450829	DOOR BRACKET BHC
450831	SCREW SUPPORT
463138	NAME PLATE
463139	NAME PLATE
463140	NAME PLATE
463141	NAME PLATE
463145	NAME PLATE
463146	NAME PLATE

sino alla matricola - jusqu'à la matr. - up to serial no. - bis Seriennr. - hasta la matr. 9400/08/01



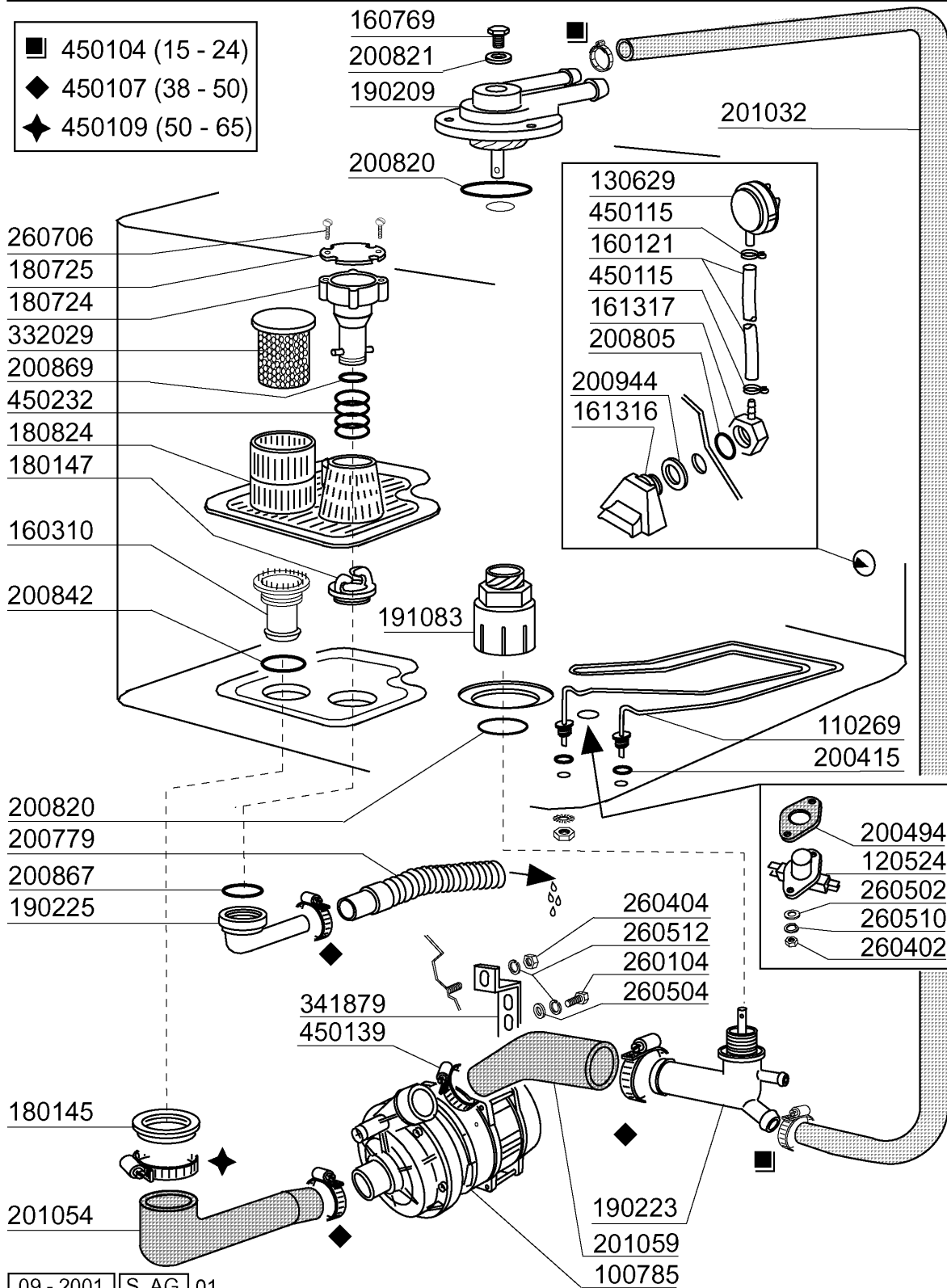
09 - 2001 S. AG.

4 - Tank

CODE	DESCRIPTION
100760	PUMP HP 0,3 220/240 BHC
110269	TANK HEATER 2000W
120524	TANKTHERMOSTAT GLASSWASHER
130629	PRESSURE SWITCH 1L30-12
160121	HOSE EPDM D. 5 X 9
160310	INLET HOSE BHC
160769	PLUG F.UPPER WASH ARM SUPPORT
161316	AIR TRAP
161317	NUT FOR AIR TRAP
180145	NUT
180147	NUT
180724	OVERFLOW PIPE BHC
180725	OVERFLOW PIPE COVER
180824	TANK STRAINER BHC
190209	UPPER WASH/RINSE ARM SUPPORT "
190223	LOWER WASH/RINSE ARM SUPPORT B
190225	DRAIN OUTLET
191083	LOWER WASH ARM SUPPORT
200415	AIR TRAP GASKET -F2 18,5X10X3
200494	GASKET FOR TANKTHERMOSTAT BT
200779	DRAIN HOSE FOR BR-BC-FC43
200805	OR GASKET 2,62X28,24X33,48
200820	O-RING151 46,99X5,33X57,6
200821	O-RING 2,62X20,63
200842	SEAL RING OR158 PB701 NITRILE
200867	GASKET
200869	GASKET
200944	GASKET
201029	TANK INLET HOSE
201030	OUTLET HOSE
201032	OUTLET HOSE
260103	SCREW TE 6X12
260402	STAINLESS STEEL NUT D4 UNI 55
260404	STAINLESS STEEL NUTS D6 UNI 55
260502	S/S FLAT WASHER D.4
260510	GROWER WASHER D.4
260512	ST/ST GROWER WASHER D6
260706	SCREW 3,9X13 S/S
332029	PUMP FILTER BHC
390522	BRACKET FOR PUMP HP0,12
450104	CLAMP FE ZN H=12,5 15-24
450107	CLAMP FE ZN 38-50 H=12,2
450109	CLAMP 50-65
450115	ELASTIC CLAMP D.8,3/7,8
450139	CLAMP 26-38 H=9
450232	SPRING

dalla matricola - a partir de la matr. - from serial no. - ab Seriennr. - despues la matr. 9401/09/01

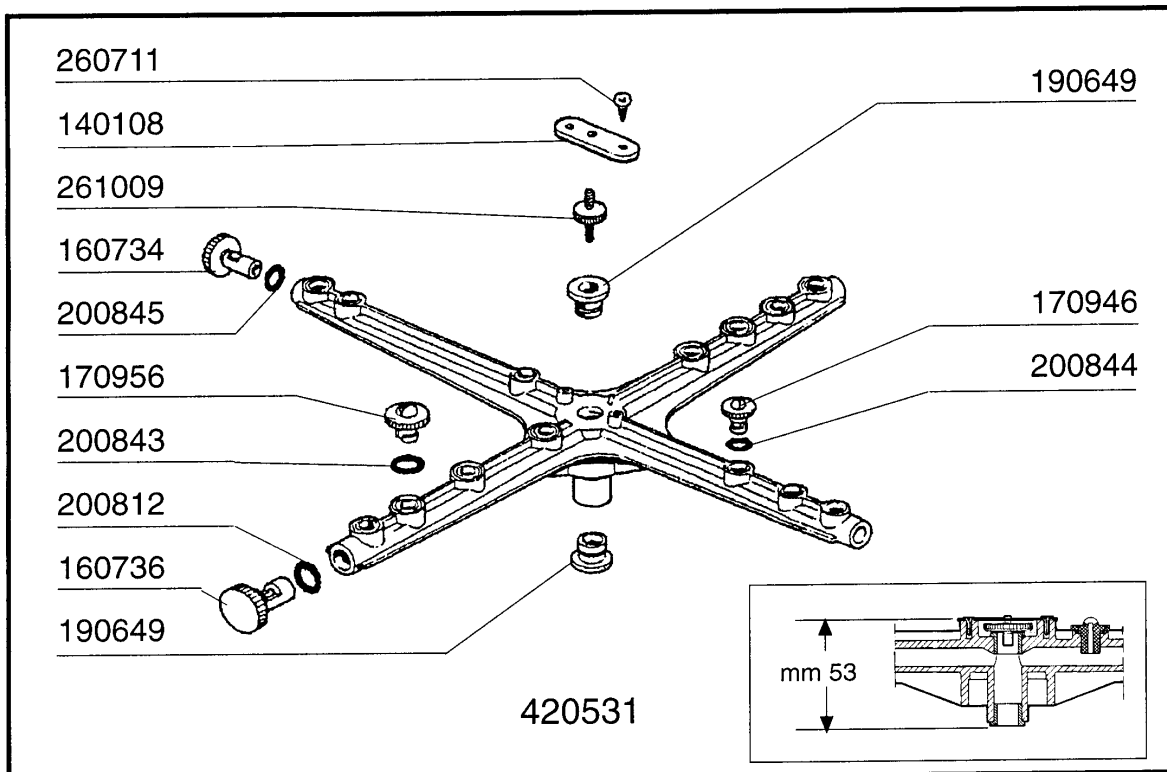
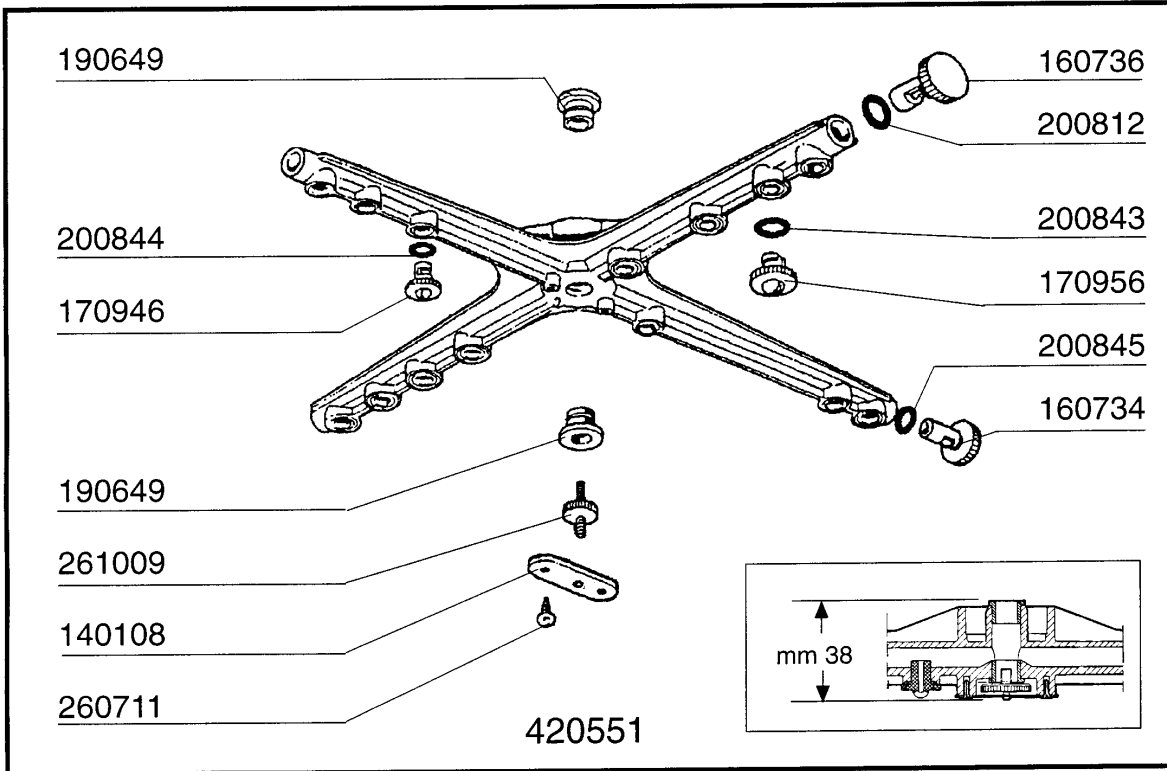
- 450104 (15 - 24)
- ◆ 450107 (38 - 50)
- ◆ 450109 (50 - 65)



09 - 2001 | S. AG. | 01

5 - Tank

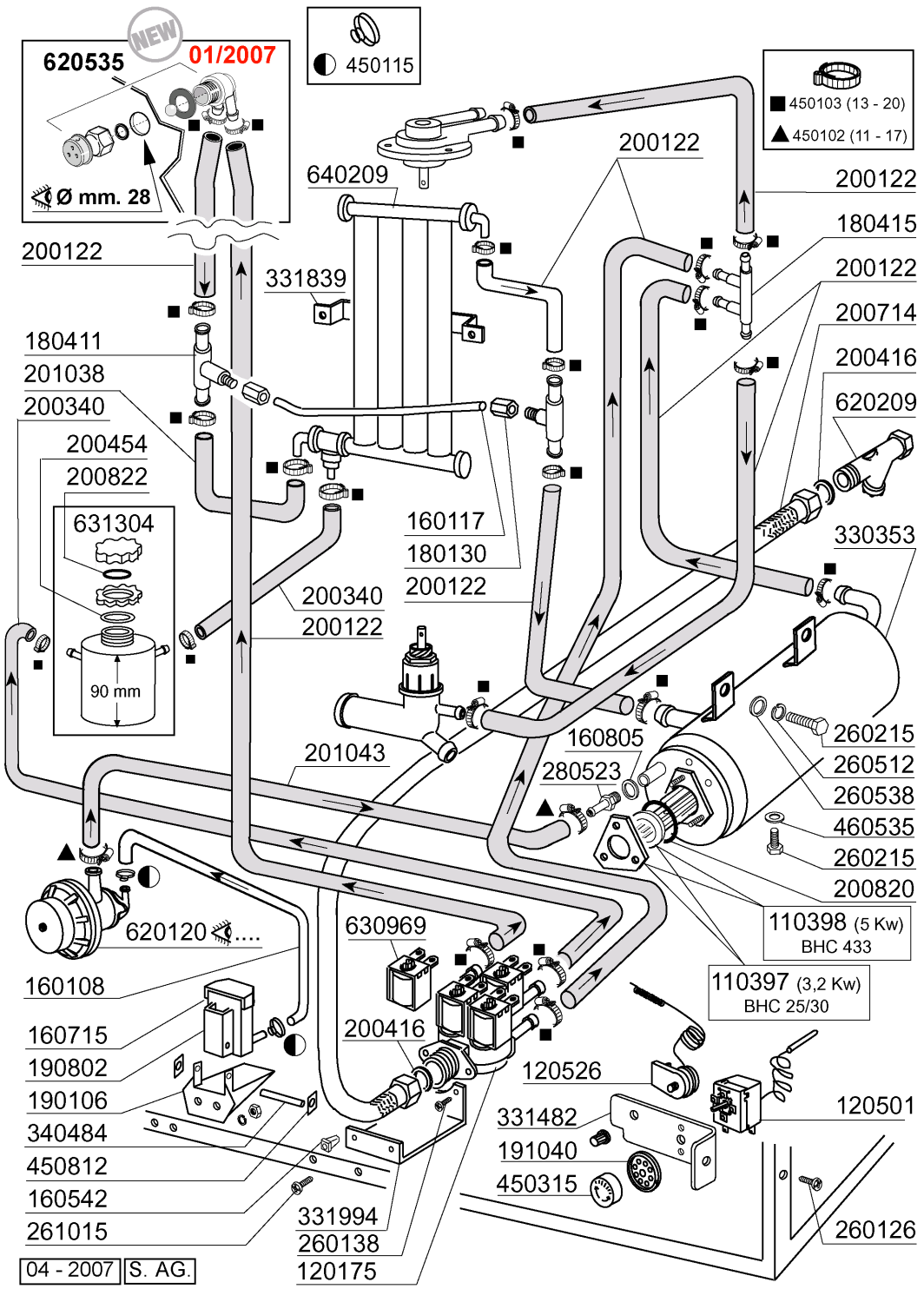
CODE	DESCRIPTION
100785	PUMP LGB ZF140 0.5HP
110269	TANK HEATER 2000W
120524	TANKTHERMOSTAT GLASSWASHER
130629	PRESSURE SWITCH 1L30-12
160121	HOSE EPDM D. 5 X 9
160310	INLET HOSE BHC
160769	PLUG F.UPPER WASH ARM SUPPORT
161316	AIR TRAP
161317	NUT FOR AIR TRAP
180145	NUT
180147	NUT
180724	OVERFLOW PIPE BHC
180725	OVERFLOW PIPE COVER
180824	TANK STRAINER BHC
190209	UPPER WASH/RINSE ARM SUPPORT "
190223	LOWER WASH/RINSE ARM SUPPORT B
190225	DRAIN OUTLET
191083	LOWER WASH ARM SUPPORT
200415	AIR TRAP GASKET -F2 18,5X10X3
200494	GASKET FOR TANKTHERMOSTAT BT
200779	DRAIN HOSE FOR BR-BC-FC43
200805	OR GASKET 2,62X28,24X33,48
200820	O-RING151 46,99X5,33X57,6
200821	O-RING 2,62X20,63
200842	SEAL RING OR158 PB701 NITRILE
200867	GASKET
200869	GASKET
200944	GASKET
201032	OUTLET HOSE
201054	TANK INLET HOSE
201059	OUTLET HOSE
260104	STAINL.ST TE-SCREW A2 6X16 UNI
260402	STAINLESS STEEL NUT D4 UNI 55
260404	STAINLESS STEEL NUTS D6 UNI 55
260502	S/S FLAT WASHER D.4
260504	ST/ST FLAT WASHER D6
260510	GROWER WASHER D.4
260512	ST/ST GROWER WASHER D6
260706	SCREW 3,9X13 S/S
332029	PUMP FILTER BHC
341879	BRACKET FOR PUMP
450104	CLAMP FE ZN H=12,5 15-24
450107	CLAMP FE ZN 38-50 H=12,2
450109	CLAMP 50-65
450115	ELASTIC CLAMP D.8,3/7,8
450139	CLAMP 26-38 H=9
450232	SPRING



6 - Wash arm

CODE	DESCRIPTION
140108	PLATE FOR WASH ARM
160734	END PLUGS RINSE ARM
160736	WASH ARM PLUG F45
170946	RINSE JET/RINSE ARM B-F
170956	WASH JET/WASH ARM B-F20
190649	BUSH WASH ARM GLASSWASHERS
200812	O-RING 1,78X17,17X20,73
200843	O RING 2X13X17
200844	O RING 2X9,5X13,5
200845	O RING 109 2,62X9,13X14,37
260711	SCREW 4,2X13 A2 DIN7972
261009	RETAIN.SCREW FOR WASH-RINSE AR
420531	PLASTIC WASH-RINSE ARM F20-B
420551	UPPER WASH ARM GLASSWASHERS

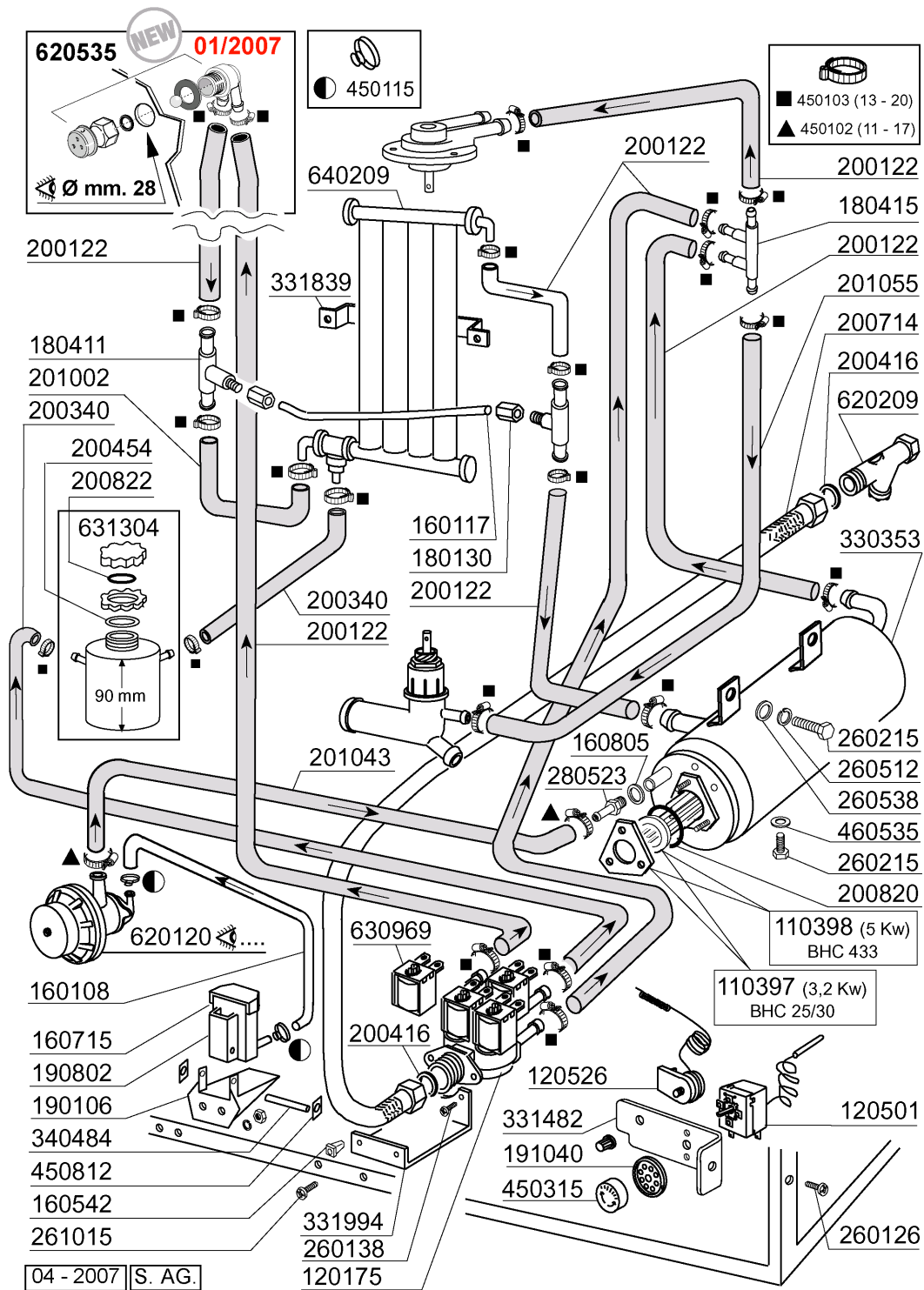
7 - Rinse Assembly/Water softener



7 - Rinse Assembly/Water softener

CODE	DESCRIPTION
110397	HEATER 3200W 230V/1
110398	HEATER 5000W 230V/3
120175	SOLENOID VALVE 3 WAYS 180Ø
120501	THERMOSTAT 30/90ØC
120526	SAFETY THERMOSTAT 2POLES
160108	INJECT.INLET HOSE D.8X5
160117	HOSE 6,3X1,1 WITHE
160542	SCREW SUPPORT
160715	COVER FOR RINSE AID CONTAINER
160805	GASKET D.8
180130	CONNECTION NUT FOR BY PASS (1/
180411	TEE-NIPPLE FOR BY PASS "BTM"
180415	TEE NIPPLE DOUBLE "T"
190106	RINSE AID CONTAINER SUPP. B23-
190802	RINSE.AID CONTAINER B20-B41S
191040	FRAME F.THERMOSTAT KNOB
200122	HOSE 11X19
200340	SALT CONTAINER HOSE B25-7-12
200416	GASKET D. 3/4"
200454	GASKET F. SALT CONT.
200714	GLASSWASHER INLET HOSE
200820	O-RING151 46,99X5,33X57,6
200822	PLUG GASKET OF SALT CONTAINER
201038	HOSE
201043	OUTLET HOSE
260126	SCREW TE 5X12
260138	SCREW TE 4X10
260215	SCREW TCP 6X16
260512	ST/ST GROWER WASHER D6
260538	WASHER 18X6X1,5 ST/ST
261015	SCREW 3,9X13
280523	NIPPLE
330353	BOILER BHC
331482	BRACKET FOR 2 THERMOST. B-F20
331839	BRACKET FOR WATER SOFTENER
331994	BRACKET FOR SOLENOID VALVE BHC
340484	SHAFT F. RINSE AID CONTAINER
450102	CLAMP FE ZN 11-17 H=9
450103	CLAMP FE ZN. 13-20 H=9
450115	ELASTIC CLAMP D.8,3/7,8
450315	KNOB F. THERMOSTAT 90Ø
450812	SPRING FOR SPINDLE (CODE NO.34
460535	GASKET FOR BOILER PLUG BHC
620120	RINSE AID INJECTOR
620209	INLET WATER FILTER
620535	VACUUM BREAKER
630969	COIL S4216 220/50HZ
631304	SALT CONTAINER
640209	WATER SOFTENER (4 COLUMNS)

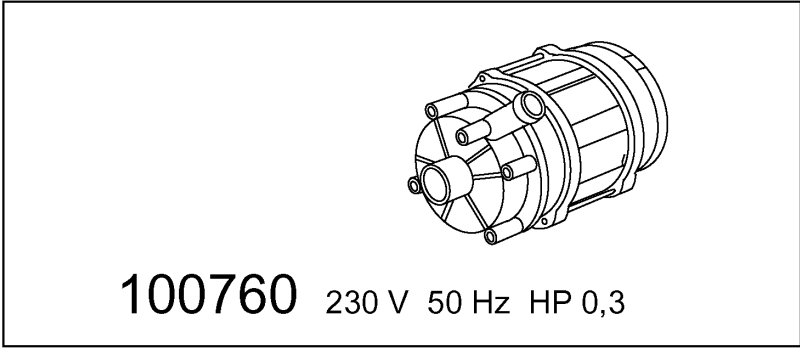
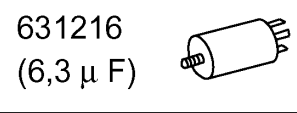
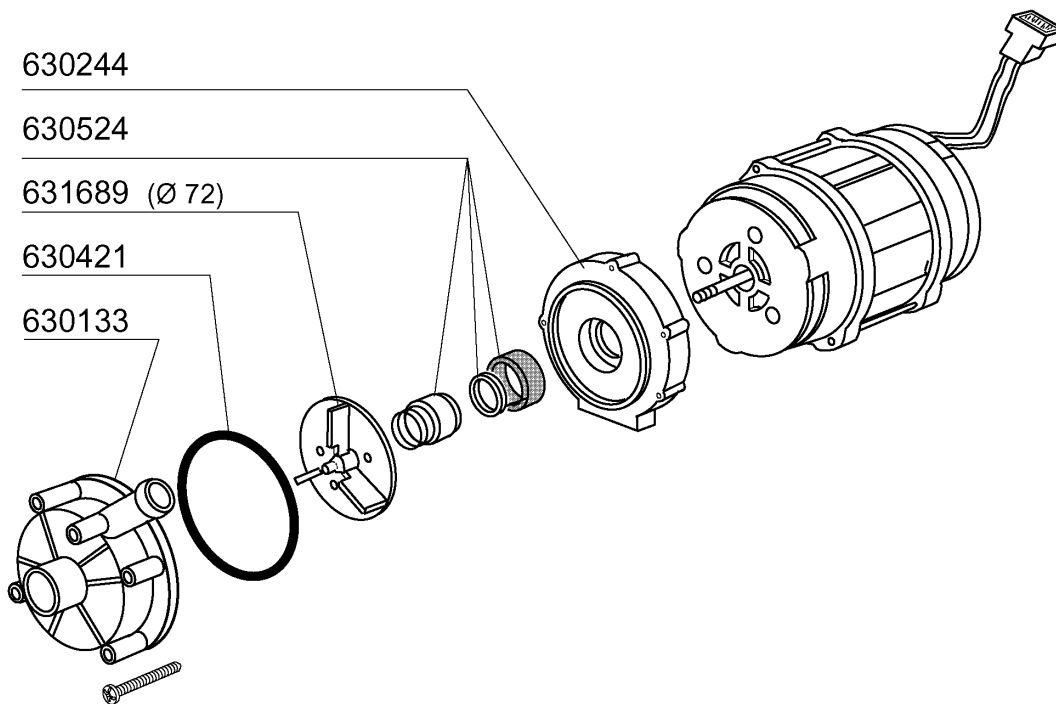
8 - Rinse Assembly/Water softener



8 - Rinse Assembly/Water softener

CODE	DESCRIPTION
110397	HEATER 3200W 230V/1
110398	HEATER 5000W 230V/3
120175	SOLENOID VALVE 3 WAYS 180Ø
120501	THERMOSTAT 30/90ØC
120526	SAFETY THERMOSTAT 2POLES
160108	INJECT.INLET HOSE D.8X5
160117	HOSE 6,3X1,1 WITHE
160542	SCREW SUPPORT
160715	COVER FOR RINSE AID CONTAINER
160805	GASKET D.8
180130	CONNECTION NUT FOR BY PASS (1/
180411	TEE-NIPPLE FOR BY PASS "BTM"
180415	TEE NIPPLE DOUBLE "T"
190106	RINSE AID CONTAINER SUPP. B23-
190802	RINSE.AID CONTAINER B20-B41S
191040	FRAME F.THERMOSTAT KNOB
200122	HOSE 11X19
200340	SALT CONTAINER HOSE B25-7-12
200416	GASKET D. 3/4"
200454	GASKET F. SALT CONT.
200714	GLASSWASHER INLET HOSE
200820	O-RING151 46,99X5,33X57,6
200822	PLUG GASKET OF SALT CONTAINER
201002	HOSE
201043	OUTLET HOSE
201055	HOSE
260126	SCREW TE 5X12
260138	SCREW TE 4X10
260215	SCREW TCP 6X16
260512	ST/ST GROWER WASHER D6
260538	WASHER 18X6X1,5 ST/ST
261015	SCREW 3,9X13
280523	NIPPLE
330353	BOILER BHC
331482	BRACKET FOR 2 THERMOST. B-F20
331839	BRACKET FOR WATER SOFTENER
331994	BRACKET FOR SOLENOID VALVE BHC
340484	SHAFT F. RINSE AID CONTAINER
450102	CLAMP FE ZN 11-17 H=9
450103	CLAMP FE ZN. 13-20 H=9
450115	ELASTIC CLAMP D.8,3/7,8
450315	KNOB F. THERMOSTAT 90Ø
450812	SPRING FOR SPINDLE (CODE NO.34
460535	GASKET FOR BOILER PLUG BHC
620120	RINSE AID INJECTOR
620209	INLET WATER FILTER
620535	VACUUM BREAKER
630969	COIL S4216 220/50HZ
631304	SALT CONTAINER
640209	WATER SOFTENER (4 COLUMNS)

sino alla matricola - jusqu'à la matr. - up to serial no. - bis Seriennr. - hasta la matr. 9400/08/01

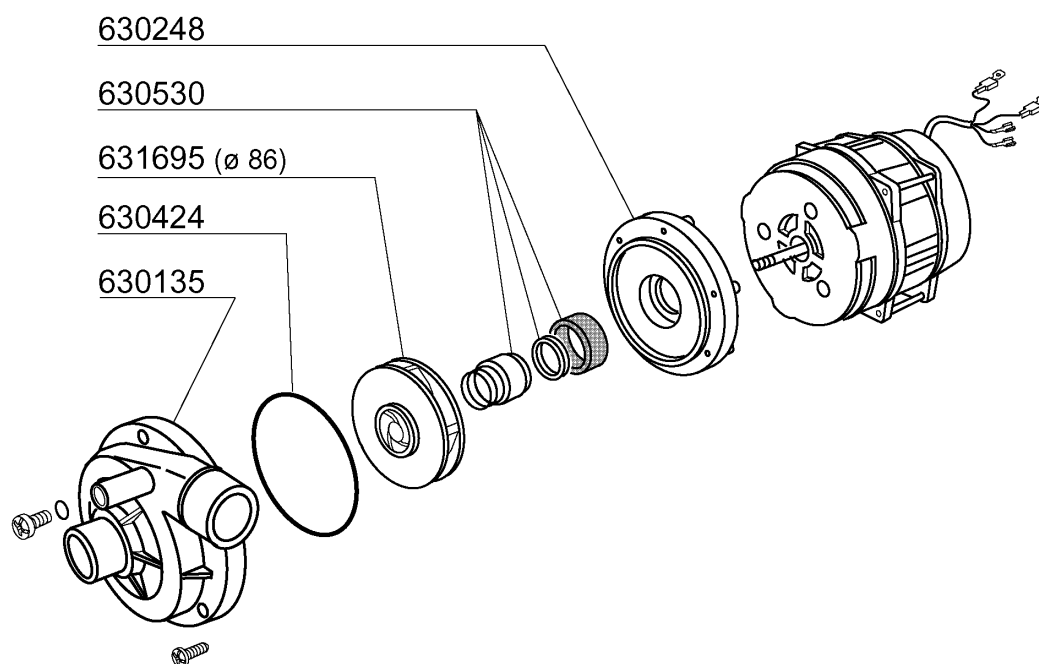


09 - 2001 | S. AG.

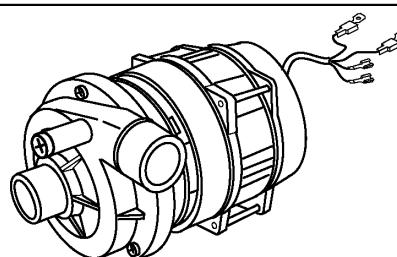
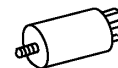
9 - Wash pump

CODE	DESCRIPTION
100760	PUMP HP 0,3 220/240 BHC
630133	PUMP VOLUTE LGB 0,30HP
630244	PUMP COVER LGB 0,30 HP
630421	GASKET LGB 0,30 HP
630524	SEAL FOR PUMP LGB0,30 HP
631216	CAPACITOR 6.3 MF 450V
631689	PUMPE IMPELLER LGB 0,30 HP

dalla matricola - a partir de la matr. - from serial no. - ab Seriennr. - despues la matr. 9401/09/01



631208
(5 μ F)

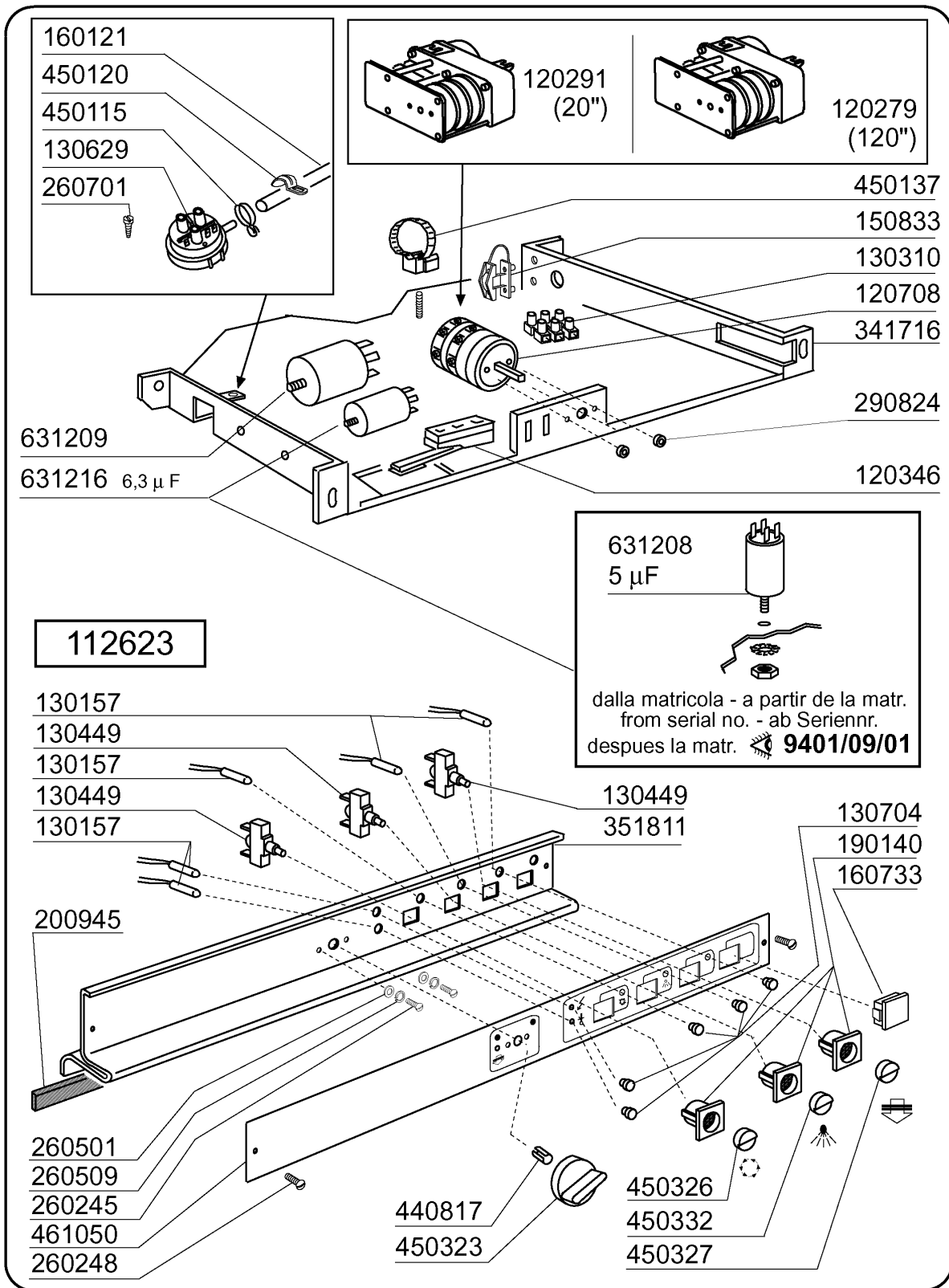


100785 230 V 50 Hz HP 0,3 Kw 0,37

09 - 2001 S. AG.

10 - Wash pump

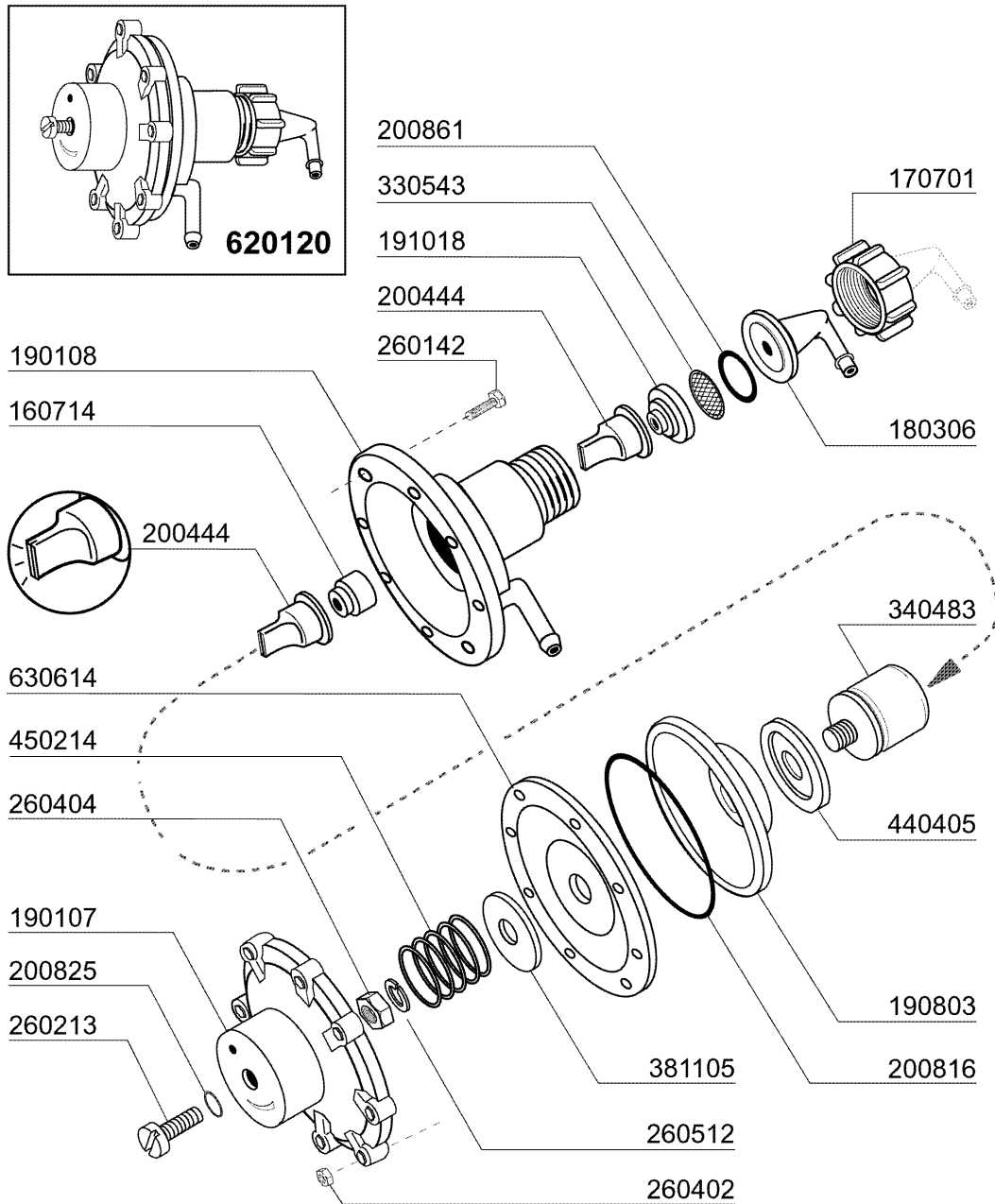
CODE	DESCRIPTION
100785	PUMP LGB ZF140 0.5HP
630135	PUMP VOLUTE LGB 0,30HP ZF140
630248	PUMP COVER LGB 0,30HP ZF140
630424	PUMP GASKET LGB 0,3HP ZF140
630530	SEAL FOR PUMP LGB 0,3HP ZF140
631208	CONDENSER 5MF.450V
631695	PUMP IMPELLER 0,3HP LGB



09 - 2001 | S. AG.

11 - Control-box BHC25A - BHC30A

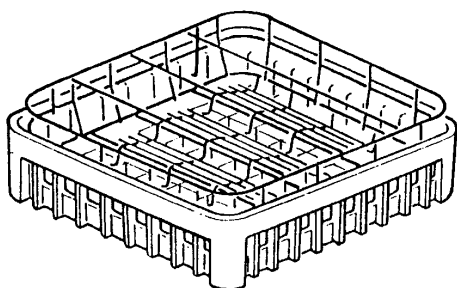
CODE	DESCRIPTION
112623	WIRING FOR BHC/A
120279	TIMER 120" BR-BC
120291	REGENERATION TIMER 20'
120346	DOOR MICROSWITCH WITH MAGNET
120708	SWITCH 16 AMP 3 POS.
130157	GREEN LED FOR BR-BC-C-SERIES -
130310	TERMINAL BLOCK 3 POSITIONS
130449	PUSH BUTTON BR-BC-FC
130629	PRESSURE SWITCH 1L30-12
130704	GREEN COLOUR.IND.LAMP COVER
150833	CABLE HOLDER BC/BR
160121	HOSE EPDM D. 5 X 9
160733	BLANK PLATES
190140	BUTTON HOLDER BR-BC-FC
200945	DOOR GASKET BHC
260245	SPECIAL SCREW TC 3,5X16
260248	SPECIAL SCREW TB 5X12
260501	STAINL.STEEL FLAT WASHER D3 UN
260509	GROWER WASHER D.3
260701	SCREW 3,5X9,5
290824	DISTANCE PIECE FOR BR-BC-FC SW
341716	SUPPORT FOR ELECTR. PANEL BR-B
351811	CONTROL PANEL SUPPORT
440817	SNAP RING LSCB/1853/17/00
450115	ELASTIC CLAMP D.8,3/7,8
450120	ZINC CLAMP FOR HOSE D.7
450137	COLLAR CONNECTION WITH BASE 31
450323	KNOB FOR BC-BR-C95-C155
450326	PUSH BUTTON "CYCLE" GREEN
450327	REGENERATION SWITCH
450332	COLD RINSE SWITCH
461050	PLATE BR/A-BC/A-FC43A
631208	CONDENSER 5MF.450V
631209	ANTI-NOISE FILTER
631216	CAPACITOR 6.3 MF 450V



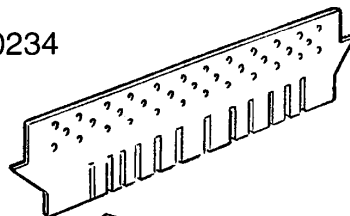
02 - 2004 | S. AG.

12 - Rinse aid injector

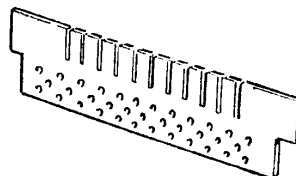
CODE	DESCRIPTION
160714	PLUG FOR RINSE AID INJECTOR MO
170701	LOCK NUT 1/2" F.INJECTOR
180306	NIPPLE F.RINSE AID INJECTOR
190107	COVER FOR RINSE AID DISPENSER
190108	VOLUTE FOR RINSE AID DISPENSER
190803	GASKET SUPPORT RING F.INJECT
191018	FILTER SUPPORT RINSE AID INJEC
200444	SUCTION VALVE RINSE INJECTOR
200816	O-RING 2,5X59,2X64,2 RINSE INJ
200825	O-RING 3X5X11 RINSE INJECTOR
200861	O-RING 14X18X2
260142	SCREW TE 4X16
260213	SCREW TCP 5X25
260402	STAINLESS STEEL NUT D4 UNI 55
260404	STAINLESS STEEL NUTS D6 UNI 55
260512	ST/ST GROWER WASHER D6
330543	FILTER RINSE AID INJECTOR D.17
340483	PISTON FOR RINSE AID DISPENSER
381105	DIAPHRAGME DISC
440405	GASKET FOR RINSE AID INJ.
450214	SPRING RINSE AID INJECTOR
620120	RINSE AID INJECTOR
630614	DIAPHRAGM RINSE INJECTOR



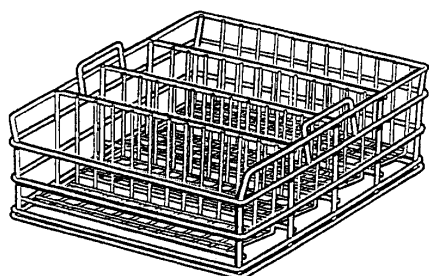
660714



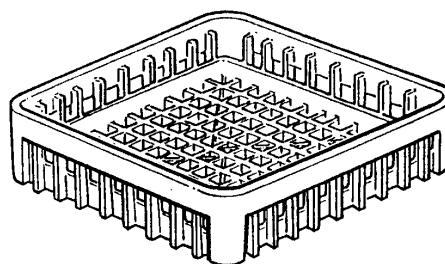
660234



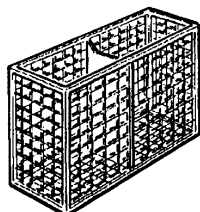
660235



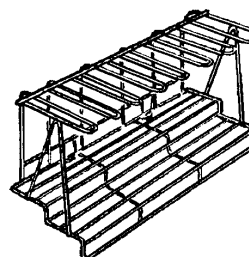
520131



660712



660519

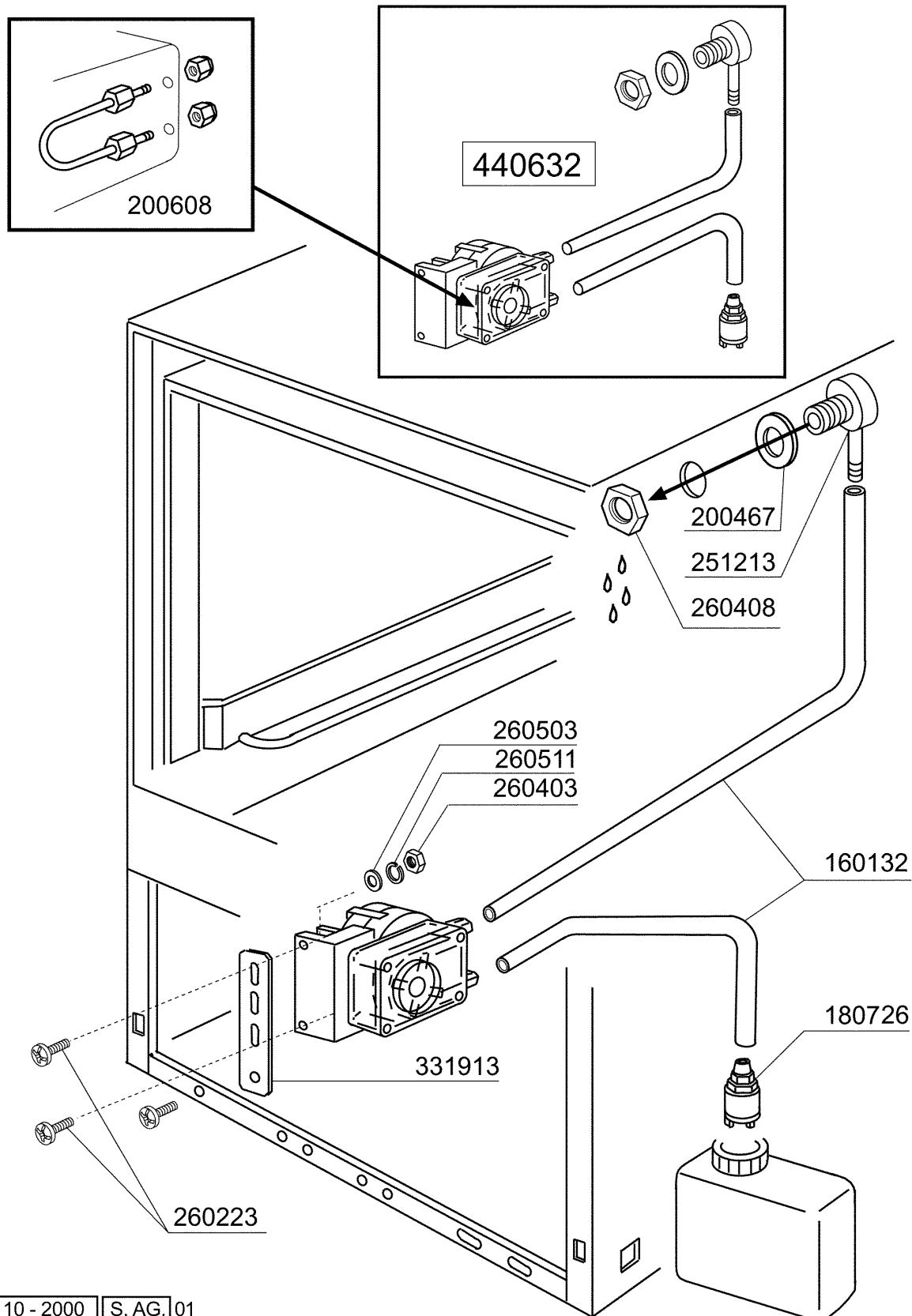


520611

13 - Rack

CODE	DESCRIPTION
520131	GLASS RACK 40X40 H270
520611	INSERT FOR CHAMPAGNE GLASSES
660234	UPPER INSERT FOR 16-25-36 GLAS
660235	LOWER INSERT FOR 16-25-36 GLAS
660519	2-PLACES CUTLERY HOLDER
660712	BASE RACK 400X400
660714	GLASS RACK (400X400)

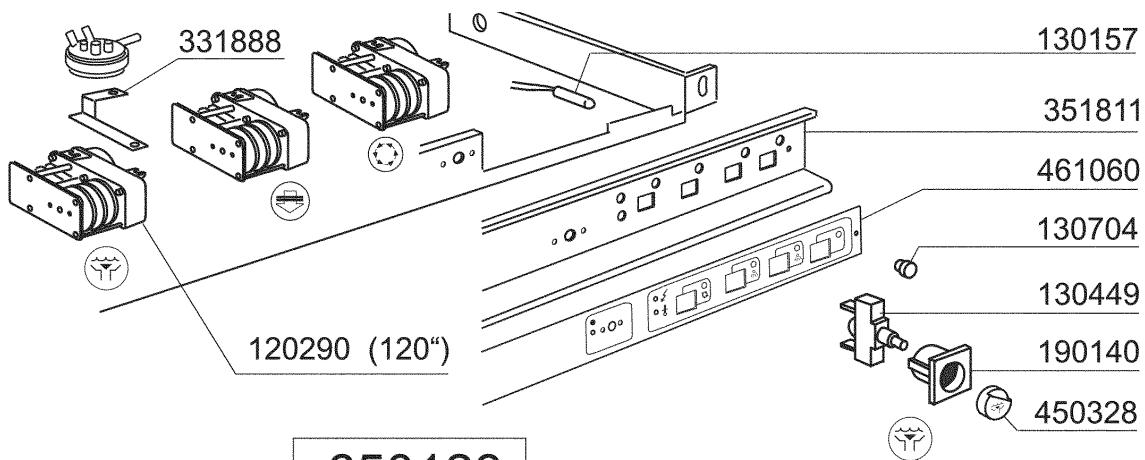
14 - Detergent dispenser



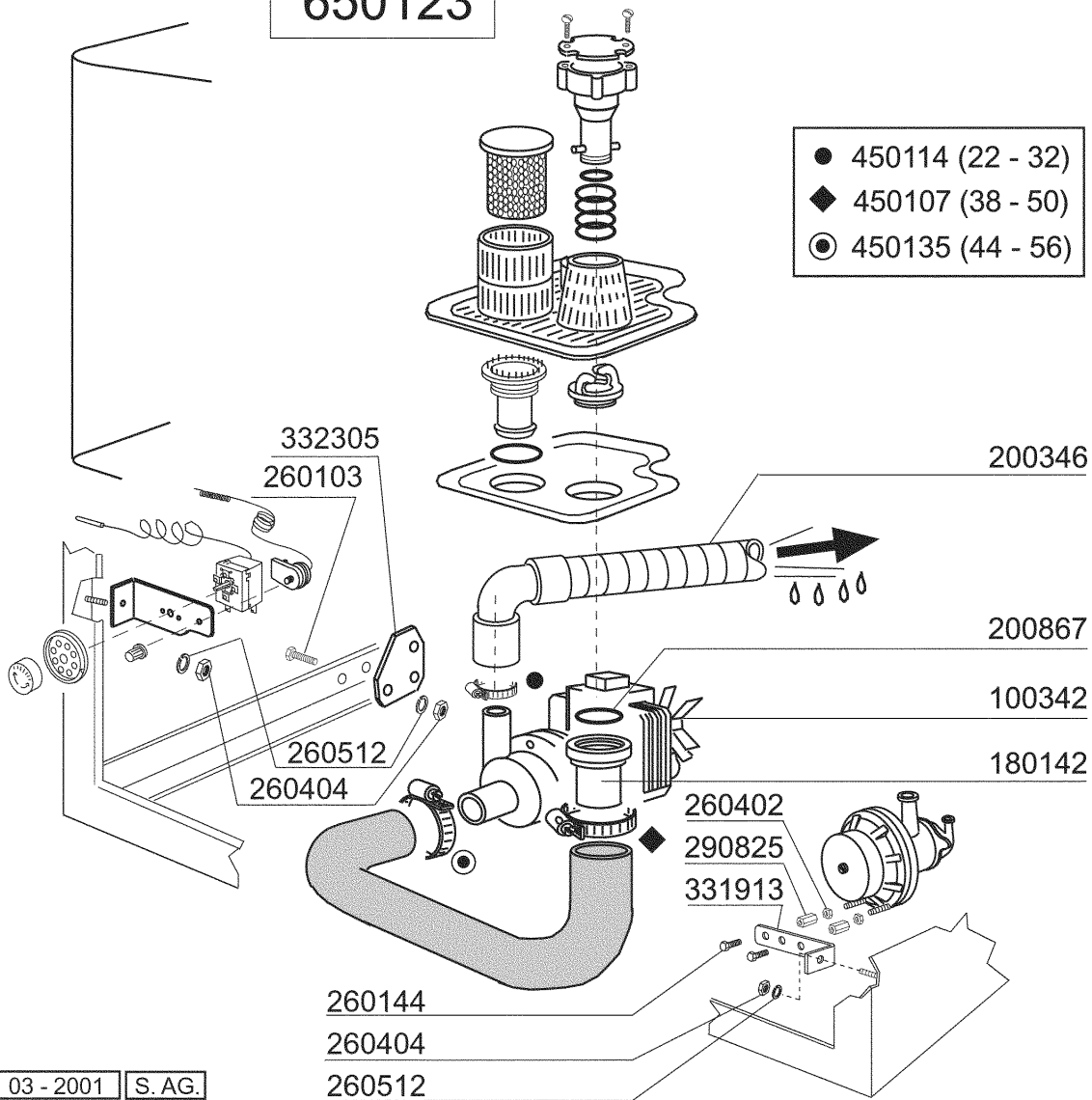
10 - 2000 S. AG. 01

14 - Detergent dispenser

CODE	DESCRIPTION
160132	HOSE 5X7
180726	STREINER FOR RINSE AID INJECTO
200467	DUTRAL GASKET F. AIR TRAP
200608	DETERGENT DISPENSER HOSE
251213	INJECTIOR S/S FOR DETERGENT IN
260223	M5X12 MSH/HD SCREW SPECIAL S/S
260403	NUTS D.5
260408	S/S NUTS D.12
260503	STAINL.STEEL FLAT WASHER D5 UN
260511	GROWER WASHER D.5
331913	BRACKET
440632	DETERGENT INJECTOR



650123



03 - 2001 S. AG.

15 - Drain pump

CODE	DESCRIPTION
100342	DRAIN PUMP 100 W 220V
120290	TIMER FOR DRAIN PUMP
130157	GREEN LED FOR BR-BC-C-SERIES -
130449	PUSH BUTTON BR-BC-FC
130704	GREEN COLOUR.IND.LAMP COVER
180142	CONNECTOR FOR DRAIN PUMP
190140	BUTTON HOLDER BR-BC-FC
200346	DRAIN HOSE GLASSWASHER
200867	GASKET
260103	SCREW TE 6X12
260144	SCREW TE 4X6
260402	STAINLESS STEEL NUT D4 UNI 55
260404	STAINLESS STEEL NUTS D6 UNI 55
260512	ST/ST GROWER WASHER D6
290825	SPACER
331888	BRACKET PRESSURE SWITCH BCHR
331913	BRACKET
332305	DRAIN PUMP BRACKET BHC
351811	CONTROL PANEL SUPPORT
450107	CLAMP FE ZN 38-50 H=12,2
450114	CLAMP FE ZN.22-32 H=12,2
450135	CLAMP FE ZN. 44-56 H=12,2
450328	DRAIN SWITCH
461060	NEUTRAL CONTROL PANEL BR A - B
650123	DRAIN PUMP KIT